

Speed Switch Unit

To meet recent legislation, we have designed and developed a Unit capable of automatically switching most vehicle accessories on or off at a given speed.

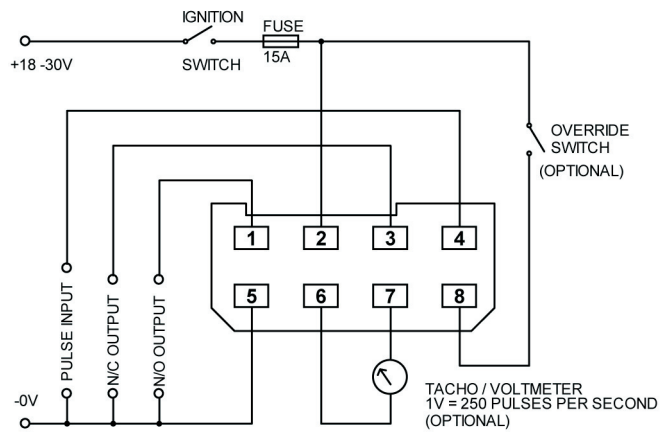
For instance, one of the most popular applications for this is to switch off flashing beacons or reversing cameras when the vehicle exceeds a given speed., However, the unit could be used to warn the driver that he has reached a given speed or to suit your application.

Switching current:- 15 Amps.

The switching point / speed is set by the simple adjustment of a potentiometer. However, a facility has been provided to override the unit when necessary.



Example shown: E713



- Pin 1: N/C Output
- Pin 2: +VE SUPPLY
- Pin 3: N/O Output
- Pin 4: Pulse input
- Pin 5: - 0VE Ground
- Pin 6: Tachometer Output (-)
- Pin 7: Tachometer Output (+)
- Pin 8: Override

Note:
Pin 5 and 6 are internally connected.

PART NO	E713	E809
SUPPLY VOLTAGE	18V TO 30V	9V TO 15V
SWITCHING CURRENT	15 AMPS	15 AMPS
DIMENSIONS	94mm x 61mm x 45mm	94mm x 61mm x 45mm
WEIGHT	85g	85g
FIXING	1 point fixing	1 point fixing
HOLE SIZE	5mm hole	5mm hole

